

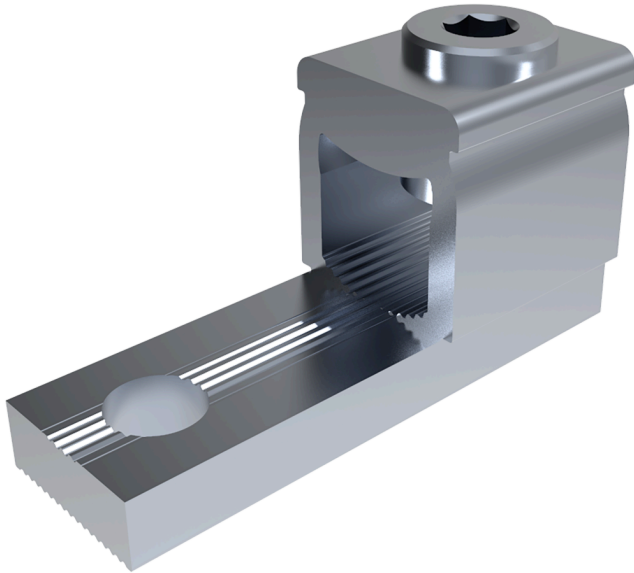
# KKL1X120

- Sales unit = 1 pc
- Suitable for Al/Cu cables
- Material: tin-coated aluminium
- Environmentally friendly materials

**Conductors per cross section (mm<sup>2</sup>) table  
>>**

**KKL Installation Instructions >>**

**Compatibility tables >>**



Data subject to change without notice. Always confirm the data is correct from the seller.

## Product details

|                             |  |
|-----------------------------|--|
| <b>SKU</b>                  | KKL1X120   |
| <b>Al mm<sup>2</sup></b>    | 16-120   |
| <b>Color</b>                | Standard   |
| <b>Cu mm<sup>2</sup></b>    | 16-120   |
| <b>E-Number</b>             | 1942147  |
| <b>EAN</b>                  | 6419410292570  |
| <b>In (Al) (A)</b>          | 200  |
| <b>In (Cu) (A)</b>          | 245  |
| <b>Key size</b>             | Hex 6  |
| <b>Mounting</b>             | Bolt M8  |
| <b>Number of Conductors</b> | 1  |
| <b>Package size</b>         | 20   |
| <b>Torque Al/Cu (Nm)</b>    | 12 (16-50 mm <sup>2</sup> ) / 22 (70-120 mm <sup>2</sup> ) |
| <b>Un (V)</b>               | 690  |
| <b>Weight (lb/kg)</b>       | 0.097 / 0.044  |

## Dimensional drawing

